

■ Standard equipment □ Optional equipment – Not available

	320i	325i	325i xDrive	330i	330i xDrive	335i	335i xDrive	320d	320d xDrive	325d	330d	330d xDrive	335d
--	------	------	-------------	------	-------------	------	-------------	------	-------------	------	------	-------------	------

Safety													
Active headrests	■	■	■	■	■	■	■	■	■	■	■	■	■
Airbags:													
– Driver and front passenger airbags, with seat occupation detector for front passenger airbag	■	■	■	■	■	■	■	■	■	■	■	■	■
– Front-to-rear head airbags, covering the entire window area	■	■	■	■	■	■	■	■	■	■	■	■	■
– Side airbags for driver and front passenger, integrated in seat	■	■	■	■	■	■	■	■	■	■	■	■	■
Brakes:													
– Disc brakes at the front, inner-vented	■	■	■	■	■	■	■	■	■	■	■	■	■
– Disc brakes at the rear, inner-vented	■	■	■	■	■	■	■	■	■	■	■	■	■
Central locking with electronic immobiliser and crash sensor; fuel tank filler flap integrated	■	■	■	■	■	■	■	■	■	■	■	■	■
Dynamic Braking Lights	■	■	■	■	■	■	■	■	■	■	■	■	■
Dynamic Stability Control (DSC, incl. ABS, CBC and Traction Mode DTC)	■	–	–	–	–	–	–	■	■	–	–	–	–
Dynamic Stability Control (DSC, incl. ABS, CBC and Traction Mode DTC) with additional functions	–	■	■	■	■	■	■	–	–	■	■	■	■
ISOFIX child seat fastening system at the front (with front-passenger airbag deactivation)	□	□	□	□	□	□	□	□	□	□	□	□	□
ISOFIX child seat fastening system at the rear, with additional upper fastening points	■	■	■	■	■	■	■	■	■	■	■	■	■
Safety bodyshell:													
– Bumper system with aluminium impact absorbers at the front and steel impact absorbers at the rear, reversible up to 4 km/h, and special deformation elements at the front and rear designed to absorb impacts at speeds of up to 15 km/h	■	■	■	■	■	■	■	■	■	■	■	■	■
– Integrated side impact protection in doors	■	■	■	■	■	■	■	■	■	■	■	■	■
Seatbelts:													
– Ergonomic seatbelt system at the rear, inertia-reel seatbelts for all rear seats	■	■	■	■	■	■	■	■	■	■	■	■	■
– Inertia-reel seatbelts at the front, with belt tensioner and belt force limiter	■	■	■	■	■	■	■	■	■	■	■	■	■

Exterior design													
Bumpers in body colour	■	■	■	■	■	■	■	■	■	■	■	■	■
Exterior mirrors in body colour, electrically adjustable, aspheric, heated	■	■	■	■	■	■	■	■	■	■	■	■	■
Exterior parts in body colour (door handles and roof trim strips)	■	■	■	■	■	■	■	■	■	■	■	■	■
Indicators in white	■	■	■	■	■	■	■	■	■	■	■	■	■
Metallic paintwork	□	□	□	□	□	□	□	□	□	□	□	□	□
Ornamental front grille with black kidney grille slats and chrome surround	■	–	–	–	–	–	–	■	■	–	–	–	–
Ornamental front grille with chrome kidney grille slats and chrome surround	–	■	■	■	■	■	■	–	–	■	■	■	■
Shadow Line , high-gloss	□	□	□	□	□	□	□	□	□	□	□	□	□
Tail pipe trim chrome matt	■	■	■	■	■	■	■	■	■	■	■	■	■

Equipment packages													
Exterior mirrors package , incl. fold-in function, memory function and automatic parking function	□	□	□	□	□	□	□	□	□	□	□	□	□
Comfort package* e.g. interior rear view mirror, storage compartment package, PDC, automatic air conditioning	□	□	□	□	□	□	□	□	□	□	□	□	□
Dynamic package* e.g. sports seats, comfort access system, Adaptive Headlights	□	□	□	□	□	□	□	□	□	□	□	□	□
Innovations package*	□	□	□	□	□	□	□	□	□	□	□	□	□
M sports package	□	□	□	□	□	□	□	□	□	□	□	□	□

Wheels													
Runflat indicator and runflat tyres	■	■	■	■	■	■	■	■	■	■	■	■	■
Wheels:													
– Light-alloy wheels star-spoke 157, 8 J x 17 inch, 225/45 R 17 tyres	■	■	■	–	–	–	–	■	■	■	–	–	–
– Light-alloy wheels star-spoke 185, 8 J x 17 inch, 225/45 R 17 tyres	□	□	□	■	■	–	–	□	□	□	■	■	–
– Light-alloy wheels radial spoke 187, 8 J x 17 inch, 225/45 R 17 tyres	□	□	□	□	□	–	–	□	□	□	□	□	–
– Light-alloy wheels V-spoke 188 with mixed tyres, 8 J x 17 inch, 225/45 R 17 tyres at the front, 8.5 J x 17 inch, 255/40 R 17 tyres at the rear	□	□	□	□	□	■	■	□	□	□	□	□	■

* May not be available in all countries. Please consult your BMW partner.

■ Standard equipment □ Optional equipment – Not available

	320i	325i	325i xDrive	330i	330i xDrive	335i	335i xDrive	320d	320d xDrive	325d	330d	330d xDrive	335d
--	------	------	-------------	------	-------------	------	-------------	------	-------------	------	------	-------------	------

Wheels													
– Light-alloy wheels star-spoke 189 with mixed tyres, 8 J x 18 inch, 225/40 R 18 tyres at the front, 8.5 J x 18 inch, 255/35 R 18 tyres at the rear	□	□	□	□	□	□	□	□	□	□	□	□	□
– Light-alloy wheels star-spoke 230 with mixed tyres, ¹ 8 J x 19 inch, 225/35 R 19 tyres at the front, 9 J x 19 inch 255/30 R 19 tyres at the rear	□	□	□	□	□	□	□	□	□	□	□	□	□

Interior design													
Door sill finishers with BMW logo in Chrome	■	■	■	■	■	■	■	■	■	■	■	■	■
Foot mats in velour	■	■	■	■	■	■	■	■	■	■	■	■	■
Instrument panel with circular speedometer and rev counter displays, as well as fuel gauge and oil temperature gauge for six-cylinder petrol engines and fuel consumption display for four-cylinder petrol engines and diesel	■	■	■	■	■	■	■	■	■	■	■	■	■
Interior trims:													
– Satin Silver, matt	■	■	■	■	■	■	■	■	■	■	■	■	■
– Aluminium high finish	□	□	□	□	□	□	□	□	□	□	□	□	□
– Fine-wood trim Burr Walnut	□	□	□	□	□	□	□	□	□	□	□	□	□
– Fine-wood trim Walnut, light	□	□	□	□	□	□	□	□	□	□	□	□	□
– Fine-wood trim Poplar Grain, grey	□	□	□	□	□	□	□	□	□	□	□	□	□
– Black, high-gloss ²	□	□	□	□	□	□	□	□	□	□	□	□	□
– Grey, high-gloss	□	□	□	□	□	□	□	□	□	□	□	□	□
Roofliner in Anthracite	□	□	□	□	□	□	□	□	□	□	□	□	□
Upholstery:													
– Fluid cloth	■	■	■	■	■	■	■	■	■	■	■	■	■
– Pearlpoint cloth/leather combination (only in combination with sports seats)	□	□	□	□	□	□	□	□	□	□	□	□	□
– Dakota leather	□	□	□	□	□	□	□	□	□	□	□	□	□
– Walknappa leather (not in combination with sports seats)	□	□	□	□	□	□	□	□	□	□	□	□	□

Transmission and technology													
4-cylinder in-line diesel engine with four-valve technology	–	–	–	–	–	–	–	■	■	–	–	–	–
4-cylinder in-line petrol engine with four-valve technology	■	–	–	–	–	–	–	–	–	–	–	–	–
6-cylinder in-line diesel engine with four-valve technology	–	–	–	–	–	–	–	–	–	■	■	■	■
6-cylinder in-line petrol engine with four-valve technology	–	■	■	■	■	■	■	–	–	–	–	–	–
6-speed automatic transmission with Steptronic	□	□	□	□	□	–	□	□	□	□	□	□	□
6-speed manual transmission	■	■	■	■	■	■	■	■	■	■	■	■	–
7-speed Double Clutch Transmission , incl. gearshift paddles on steering wheel	–	–	–	–	–	□	–	–	–	–	–	–	–
Active Steering³	□	□	–	□	–	□	–	□	–	□	□	–	□
Auto Start/Stop function⁴	■	–	–	–	–	–	–	■	■	–	–	–	–
Brake Energy Regeneration	■	■	■	■	■	■	■	■	■	■	■	■	■
Centre lockswitch for central locking	■	■	■	■	■	■	■	■	■	■	■	■	■
Common Rail Technology	–	–	–	–	–	–	–	■	■	■	■	■	■
Diesel particle filter	–	–	–	–	–	–	–	■	■	■	■	■	■
Double-joint spring strut front axle	■	■	■	■	■	■	■	■	■	■	■	■	■
Double-VANOS	■	■	■	■	■	■	■	–	–	–	–	–	–
Emissions standard: EU4 (320d and 330d: EU5-compatible⁵)	■	■	■	■	■	■	■	■	■	■	■	■	■
Five-link rear suspension	■	■	■	■	■	■	■	■	■	■	■	■	■
Gearshift paddles on steering wheel , in conjunction with 6-speed automatic transmission, for 335i with Double Clutch Transmission	–	□	□	□	□	□	■	–	–	□	□	□	□
High Precision Injection (direct fuel injection)	■	■	■	■	■	■	■	–	–	–	–	–	–
Light-alloy cylinder head	■	■	■	■	■	■	■	■	■	■	■	■	■
M sports suspension , lowered by 15 mm ³	□	□	–	□	–	□	–	□	–	□	□	–	□
Optimum Shift Indicator , only in conjunction with 6-speed manual transmission	■	■	■	■	■	■	■	■	■	■	■	■	–
Power steering	–	–	–	–	–	■	■	–	–	–	–	–	■

¹ Wheel/tyre combination for an extremely sporty look, with restricted suspension and primary comfort.

² Standard in combination with Walknappa leather.

³ Not in combination with xDrive all-wheel drive system.

⁴ In conjunction with 6-speed manual transmission.

⁵ Will be EU5-compliant once the EU5 standard enters into force, based on EU regulation 715/2007 [EC] dated 20 June 2007.

■ Standard equipment □ Optional equipment – Not available

	320i	325i	325i xDrive	330i	330i xDrive	335i	335i xDrive	320d	320d xDrive	325d	330d	330d xDrive	335d
--	------	------	-------------	------	-------------	------	-------------	------	-------------	------	------	-------------	------

Transmission and technology													
Servotronic	■	■	■	■	■	–	–	■	■	■	■	■	–
Turbocharger with variable turbine geometry	–	–	–	–	–	–	–	■	■	■	■	■	–
Twin Turbo	–	–	–	–	–	■	■	–	–	–	–	–	–
Variable Twin Turbo	–	–	–	–	–	–	–	–	–	–	–	–	■
xDrive all-wheel drive, incl. Servotronic (335i: not available with double clutch transmission)	–	–	■	–	■	–	■	–	■	–	–	■	–

Driver assistance													
Cruise Control	□	–	–	–	–	–	–	□	□	–	–	–	–
Cruise Control, Active (ACC), with distance control	–	□	□	□	□	□	□	–	–	□	□	□	□
Cruise Control with braking function	–	□	□	□	□	□	□	–	–	□	□	□	□
High-beam assistant	□	□	□	□	□	□	□	□	□	□	□	□	□
Park Distance Control (PDC) front and rear, or rear only	□	□	□	□	□	□	□	□	□	□	□	□	□

Light and sight													
Adaptive Headlights with variable light distribution incl. turning lights	□	□	□	□	□	□	□	□	□	□	□	□	□
Fog lights with free-form reflectors, including heated screenwasher nozzles and exterior mirrors	■	■	■	■	■	■	■	■	■	■	■	■	■
Headlight washing system	■	■	■	■	■	■	■	■	■	■	■	■	■
Interior and exterior mirrors with automatic anti-glare function	□	□	□	□	□	□	□	□	□	□	□	□	□
Interior mirror with automatic anti-glare function	□	□	□	□	□	□	□	□	□	□	□	□	□
Interior mirror with digital compass	□	□	□	□	□	□	□	□	□	□	□	□	□
Light:													
– Reading lights front and rear, front footwell lights, illuminated vanity mirrors for driver and front passenger, soft light function at the front and indirect lighting at the front	■	■	■	■	■	■	■	■	■	■	■	■	■
– Vicinity lights integrated in handles, indirect lighting via light strips in the door and side trim, exit lights in lower part of the doors, rear footwell lights	□	□	□	□	□	□	□	□	□	□	□	□	□
Rain sensor with automatic driving lights control	□	□	□	□	□	□	□	□	□	□	□	□	□
Windscreen with grey shade band	■	■	■	■	■	■	■	■	■	■	■	■	■
Xenon Headlights for high and low beam, including automatic headlight range control and four light rings (daytime running lights)	■	■	■	■	■	■	■	■	■	■	■	■	■

Interior													
Air conditioning (incl. microfilter)	■	■	■	■	■	■	■	■	■	■	■	■	■
Automatic air conditioning with rear air vents (including automatic air re-circulation, fogging and solar sensors and residual heat button)	□	□	□	□	□	□	□	□	□	□	□	□	□
Auxiliary heating ¹	□	□	□	□	□	□	□	□	□	□	□	□	□
Climate comfort windscreen	□	□	□	□	□	□	□	□	□	□	□	□	□
Headrests, rear, with manual height adjustment	■	■	■	■	■	■	■	■	■	■	■	■	■
Seats/seat comfort:													
– Comfort access with easy-entry function for driver and front passenger seats	■	■	■	■	■	■	■	■	■	■	■	■	■
– Headrests, two at the rear	■	■	■	■	■	■	■	■	■	■	■	■	■
– Lumbar support for driver and front passenger seats, electric	□	□	□	□	□	□	□	□	□	□	□	□	□
– Seat adjustment, electric, with memory function for driver's seat	□	□	□	■	■	■	■	□	□	□	■	■	■
– Seat adjustment, manual	■	–	–	–	–	–	–	■	■	–	–	–	–
– Seat heating for driver and front passenger seats	□	□	□	□	□	□	□	□	□	□	□	□	□
– Sports seats for driver and front passenger, with manual adjustment, incl. electric backrest width adjustment	□	□	□	□	□	■	■	□	□	□	□	□	■
– Standard seats with partly electric adjustment	□	■	■	–	–	–	–	□	□	■	–	–	–

¹ Not available in conjunction with M sports package.

■ Standard equipment □ Optional equipment – Not available

	320i	325i	325i xDrive	330i	330i xDrive	335i	335i xDrive	320d	320d xDrive	325d	330d	330d xDrive	335d
--	------	------	-------------	------	-------------	------	-------------	------	-------------	------	------	-------------	------

Interior														
Steering wheels:														
– Multifunction buttons for steering wheel	■	■	■	■	■	■	■	■	■	■	■	■	■	■
– Sports leather steering wheel, three spokes, shift lever knob with chrome trim and handbrake lever handle in leather	■	■	■	■	■	■	■	■	■	■	■	■	■	■
– Steering wheel heating for sports leather steering wheel	□	□	□	□	□	□	□	□	□	□	□	□	□	□
Sunblind for rear window, electric	□	□	□	□	□	□	□	□	□	□	□	□	□	□
Sun protection glazing	□	□	□	□	□	□	□	□	□	□	□	□	□	□

Comfort and interior equipment														
Alarms system with radio remote control	□	□	□	□	□	□	□	□	□	□	□	□	□	□
Armrest at the front , folding, with integrated storage compartment	■	■	■	■	■	■	■	■	■	■	■	■	■	■
Armrest at the front , with individual adjustment	□	□	□	□	□	□	□	□	□	□	□	□	□	□
Comfort access system (for keyless entry and keyless starting of vehicle)	□	□	□	□	□	□	□	□	□	□	□	□	□	□
Glass sliding/vent roof, electric , with comfort opening via car key	□	□	□	□	□	□	□	□	□	□	□	□	□	□
Personal Profile , personalisation of important operating functions	■	■	■	■	■	■	■	■	■	■	■	■	■	■
Seatbelt handover , electric, for driver and front passenger	■	■	■	■	■	■	■	■	■	■	■	■	■	■
Ski bag	□	□	□	□	□	□	□	□	□	□	□	□	□	□
Smokers package , ashtray with lid front and front rear	□	□	□	□	□	□	□	□	□	□	□	□	□	□
Start/Stop button	■	■	■	■	■	■	■	■	■	■	■	■	■	■
Storage compartments integrated in the doors , foldable, compartment with integrated spectacle and coin sections, storage compartment in rear centre console	■	■	■	■	■	■	■	■	■	■	■	■	■	■
Storage compartment package (incl. two fold-out cupholders at the front, storage compartment on driver's side, one 12-V socket)	□	□	□	□	□	□	□	□	□	□	□	□	□	□
Storage tray in the centre console, front	■	■	■	■	■	■	■	■	■	■	■	■	■	■
Through-loading system (with 60 : 40 asymmetrically split rear backrest, each section folding down separately), centre armrest with two cupholders	■	■	■	■	■	■	■	■	■	■	■	■	■	■

Entertainment, communication and information														
BMW ConnectedDrive – Telematics Services*:														
– BMW Assist	□	□	□	□	□	□	□	□	□	□	□	□	□	□
– BMW Online	□	□	□	□	□	□	□	□	□	□	□	□	□	□
Navigation system*:														
– Business, with 6.5" colour monitor, map and arrow display, combined CD/DVD drive, incl. iDrive Controller with direct menu control buttons, eight functional bookmarks, 2-tuner reception and MP3 decoder	□	□	□	□	□	□	□	□	□	□	□	□	□	□
– Business with preparation for mobile phone with Bluetooth interface (incl. BMW Assist/BMW Online)	□	□	□	□	□	□	□	□	□	□	□	□	□	□
– Professional, with 8.8" colour monitor, 3-D map and arrow display, DVD drive, incl. iDrive Controller with direct menu control buttons, hard disk storage for map material and audio data, eight functional bookmarks, 2-tuner reception and MP3 decoder	□	□	□	□	□	□	□	□	□	□	□	□	□	□
– Professional with preparation for mobile phone with Bluetooth interface (incl. BMW Assist* and BMW Online*)	□	□	□	□	□	□	□	□	□	□	□	□	□	□
– TV function for analogue and digital reception	□	□	□	□	□	□	□	□	□	□	□	□	□	□
– Voice control system (in conjunction with Navigation system Business and Professional*)	□	□	□	□	□	□	□	□	□	□	□	□	□	□
Radio/audio:														
– AUX-IN connection	■	■	■	■	■	■	■	■	■	■	■	■	■	■
– BMW Individual High-End Audio System	–	□	□	□	□	□	□	–	–	□	□	□	□	□
– CD changer (6 CDs), incl. MP3 decoder	□	□	□	□	□	□	□	□	□	□	□	□	□	□
– DAB tuner (in combination with BMW radio Professional and Navigation system Business and Professional*)	□	□	□	□	□	□	□	□	□	□	□	□	□	□
– HiFi loudspeaker system	□	□	□	□	□	□	□	□	□	□	□	□	□	□
– HiFi System Professional LOGIC7	□	□	□	□	□	□	□	□	□	□	□	□	□	□
– Radio BMW Business CD, incl. MP3 decoder	■	■	■	■	■	■	■	■	■	■	■	■	■	■
– Radio BMW Professional, incl. MP3 decoder	□	□	□	□	□	□	□	□	□	□	□	□	□	□
– USB/audio interface, upgradeable for comfort connection of a mobile phone music player	□	□	□	□	□	□	□	□	□	□	□	□	□	□
Telephone , mobile phone preparation Business with Bluetooth interface and comfort connection for mobile phone music player (incl. BMW Assist*)	□	□	□	□	□	□	□	□	□	□	□	□	□	□

* Not available in all countries. Please consult your BMW partner.

		320i	325i 325i xDrive	330i 330i xDrive	335i 335i xDrive	320d 320d xDrive	325d	330d 330d xDrive	335d*
--	--	------	---------------------	---------------------	---------------------	---------------------	------	---------------------	-------

Weight									
Unladen EU ¹	kg	1435 [1465]	1495 [1525]	1545 [1560]	1600 [1615]	1505 [1520]	1590 [1600]	1600 [1615]	1645
Unladen EU ¹ (xDrive)	kg	—	1605 [1625]*	1645 [1660]*	1710 [1725]*	1590 [1605]*	—	1700 [1715]*	—
Max. permissible	kg	1810 [1840]	1900 [1930]	1950 [1965]	2005 [2020]	1910 [1925]	1995 [2005]	2005 [2020]	2050
Max. permissible (xDrive)	kg	—	2010 [2030]*	2050 [2065]*	2115 [2130]*	1995 [2010]*	—	2105 [2120]*	—
Permitted load	kg	450	480	480	480	480	480	480	480
Permitted axle load, front/rear	kg	880/1015	905/1045	930/1070	960/1080	900/1050	960/1070	970/1080	990/1090
Permitted roof load	kg	75	75	75	75	75	75	75	75
Permitted trailer load, unbraked ²	kg	695	745	750	750	745	750	750	750
Permitted trailer load, braked, max. 12% gradient ²	kg	1400 [1500]	1600	1700	1700	1600	1800	1800	1800
Permitted trailer load, braked, max. 8% gradient ²	kg	1600	1700	1800	1800	1800	1800	1800	1800
Permitted towbar download	kg	75	75	75	75	75	75	75	75

Engine ^{3,4}									
Cylinders/valves		4/4	6/4	6/4	6/4	4/4	6/4	6/4	6/4
Capacity	cm ³	1995	2996	2996	2979	1995	2993	2993	2993
Stroke/bore	mm	90.0/84.0	88.0/85.0	88.0/85.0	89.6/84.0	90.0/84.0	90.0/84.0	90.0/84.0	90.0/84.0
Max. output	kW/rpm	125/6700	160/6100	200/6700	225/5800	130/4000	145/4000	180/4000	210/4400
	(hp/rpm)	(170/6700)	(218/6100)	(272/6700)	(306/5800)	(177/4000)	(197/4000)	(245/4000)	(286/4400)
Max. torque	Nm/rpm	210/4250	270/2400–4200	320/2750–3000	400/1300–5000	350/1750–3000	400/1300–3250	520/1750–3000	580/1750–2250
Compression ratio	:1	12.0	12.0	12.0	10.2	16.0	17.0	16.5	17.0

Transmission									
Standard transmission ratios	I/II:1	4.32/2.46	4.32/2.46	4.35/2.50	4.06/2.40	5.14/2.83	5.08/2.80	5.08/2.80	4.17/2.34
	III/IV:1	1.66/1.23	1.66/1.23	1.67/1.23	1.58/1.19	1.80/1.26	1.78/1.26	1.78/1.26	1.52/1.14
	V/VI/R:1	1.0/0.85/3.94	1.0/0.85/3.94	1.0/0.85/3.93	1.0/0.87/3.68	1.0/0.83/4.64	1.0/0.84/4.61	1.0/0.84/4.61	0.87/0.69/3.40
Final drive ratio	:1	3.64	3.07	3.15	3.08	2.56	2.35	2.35	2.81

Performance									
Top speed	km/h	230 [228]	250 ⁵ [250 ⁵]	250 ⁵ [250 ⁵]	250 ⁵ [250 ⁵]	232 [230]	238 [236]	250 ⁵ [250 ⁵]	250 ⁵
Top speed (xDrive)	km/h	—	246 [244]*	250 ⁵ [250 ⁵]*	250 ⁵ [250 ⁵]*	226 [224]*	—	250 ⁵ [250 ⁵]*	—
Acceleration 0–100 km/h	s	8.1 [8.8]	6.6 [7.0]	6.0 [6.2]	5.5 [5.4]	7.9 [8.0]	7.3 [7.5]	6.0 [6.1]	5.9
Acceleration 0–100 km/h (xDrive)	s	—	7.2 [7.6]*	6.1 [6.3]*	5.4 [5.5]*	8.1 [8.2]*	—	5.8 [5.9]*	—
Acceleration 80–120 km/h in 4th/5th gear (with standard transmission)	s	8.1/10.4	7.2/9.0	6.1/7.6	5.2/6.2	6.6/8.4	6.3/8.1	4.7/6.0	—
Acceleration 80–120 km/h in 4th/5th gear (xDrive)	s	—	8.2/10.1*	6.9/8.9*	5.8/7.0*	6.8/8.6*	—	5.0/6.4*	—

Fuel consumption ^{3,4}									
Urban	l/100 km	8.7 [8.9]	9.8 [9.7]	9.9 [9.9]	13.2 [12.5]	6.0 [7.2]	7.6 [8.1]	7.3 [8.0]	9.1
Urban (xDrive)	l/100 km	—	10.9 [10.8]*	11.0 [11.0]*	14.1 [13.8]*	6.7 [7.9]*	—	8.3 [8.8]*	—
Extra-urban	l/100 km	4.9 [5.1]	5.5 [5.6]	5.6 [5.6]	6.7 [6.7]	4.1 [4.5]	4.6 [5.1]	4.8 [5.2]	5.3
Extra-urban (xDrive)	l/100 km	—	6.1 [6.2]*	6.2 [6.2]*	7.1 [7.3]*	4.6 [4.8]*	—	5.5 [5.7]*	—
Combined	l/100 km	6.3 [6.5]	7.1 [7.1]	7.2 [7.2]	9.1 [8.8]	4.8 [5.5]	5.7 [6.2]	5.7 [6.2]	6.7
Combined (xDrive)	l/100 km	—	7.9 [7.9]*	8.0 [8.0]*	9.7 [9.7]*	5.4 [5.9]*	—	6.5 [6.8]*	—

For an explanation of the footnotes see the following page.

		320i	325i 325i xDrive	330i 330i xDrive	335i 335i xDrive	320d 320d xDrive	325d	330d 330d xDrive	335d ⁸
--	--	------	---------------------	---------------------	---------------------	---------------------	------	---------------------	-------------------

Fuel consumption^{3,4}

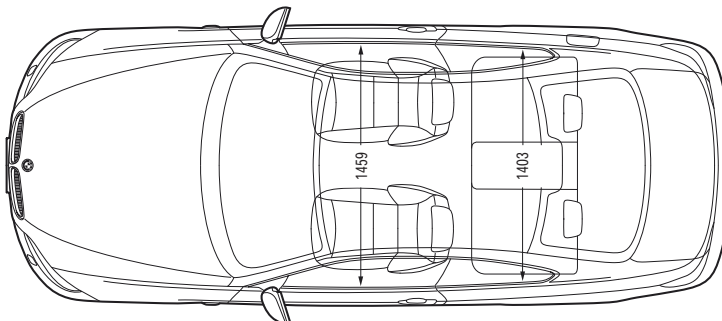
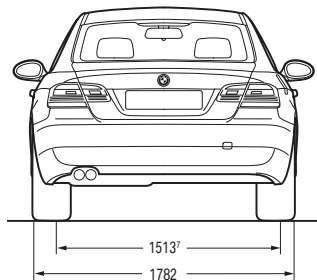
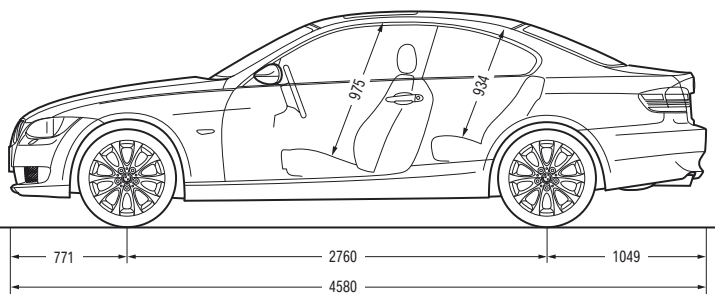
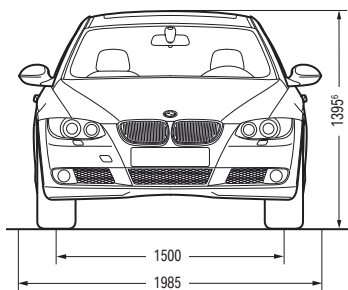
CO ₂ emissions	g/km	151 [156]	170 [170]	173 [173]	218 [210]	128 [145]	153 [164]	152 [164]	177
CO ₂ emissions (xDrive)	g/km	–	189 [189]*	193 [193]*	232 [232]*	143 [156]*	–	171 [178]*	–
Tank capacity, approx.	l	63	63	63	63	61	61	61	61

Wheels

Tyre dimensions	front/rear	225/45 R 17 V	225/45 R 17 W	225/45 R 17 W	225/45 / 255/40 R 17 W	225/45 R 17 V	225/45 R 17 W	225/45 R 17 W	225/45 / 255/40 R 17 W
Wheel dimensions	front/rear	8 J x 17	8 J x 17	8 J x 17	8 / 8.5 J x 17	8 J x 17	8 J x 17	8 J x 17	8 / 8.5 J x 17
Material		light-alloy	light-alloy	light-alloy	light-alloy	light-alloy	light-alloy	light-alloy	light-alloy

Electrical system

Battery capacity	Ah	90 [70]	80	80	80	90 [80]	90	90	90
Alternator output	A	180	155 [180]	155 [180]	180	180	150	150	170
	W	2520	2170 [2520]	2170 [2520]	2520	2520	2100	2100	2380



All dimensions in the technical drawings in millimetres.

Luggage compartment capacity 440 litres, 335i and 335d: 430 litres (measured according to VDA standard).

¹ The figure quoted is based on a 90% full tank, 68 kg for the driver and 7 kg for luggage. Unladen weight applies to vehicles with standard equipment. Special equipment increases this figure.

² The overall weight of the trailer may not exceed the maximum permissible trailer load plus the maximum permissible towbar download.

³ The petrol engines are designed for RON 98 grade fuel. They can be run on fuel down to RON 91 (for 335i minimum RON 95), with a decrease in power.

⁴ All engines comply with the EU4 standard. The 320d, 330d and the 330d xDrive are EU5-compatible (will be EU5-compliant once the EU5 standard enters into force, based on EU regulation 715/2007 [EC] dated 20 June 2007). Fuel consumption is calculated on the basis of the ECE driving cycle. This is made up of approximately one third urban and two thirds extra-urban driving (based on

distance covered). In addition to fuel consumption, CO₂ emissions are measured.

⁵ Electronically limited.

⁶ Height of the 335i and 335d is 1,375 mm.

⁷ Rear track width of the 335i and 335d is 1,507 mm.

⁸ Only available in combination with 6-speed automatic transmission.

*Figures apply to vehicles with xDrive.

Figures in [] apply to models with 6-speed automatic transmission or seven-speed Double Clutch Transmission (335i).